

New Product Announcement

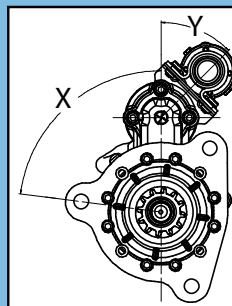
M105R2502SE Titan™105

Titan™105	Sales #	Volts	Output	Rotation	OCP	Pinion Details			
						Teeth	Pitch	OD	PAR
M105R2502SE	M105602	12V	5.0 kW	CW	No	12	8/10	66.5	47.6



Engine	Replaces Various Starters	Popular Applications
INTERNATIONAL: 466, 530 & 570, Max Force DT9, DT10	37MT, 38MT, R4, P5	Dura Star 4000, Work Star 7000, Navistar
CUMMINS: ISC, ISL	38MT, 39MT, 41MT, R5, P8, Mitsubishi	Sterling, Freightliner, International, Peterbilt, Kenworth, Int'l Bus
CAT: 3208		

Mountings

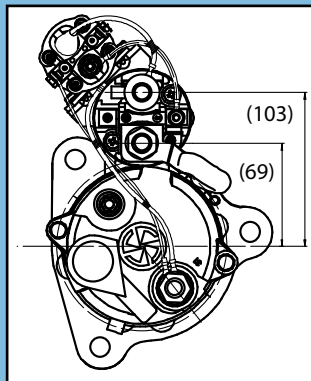


Alternative Mountings		
Flange Position		
No	Angle X	
1	52.5°	Rotate 30° CW
2	82.5°	As SUPPLIED
3	172.5°	Rotate 90° CCW
4	202.5°	Rotate 120° CCW
5	292.5°	Rotate 210° CCW
6	322.5°	Rotate 240° CCW
Relay Position		
Pos	Angle Y	
A	90°	As SUPPLIED
B	45°	Rotate 45° CW
C	0°	Rotate 90° CW
D	-45°	Rotate 135° CW
E	-90°	Rotate 180° CW

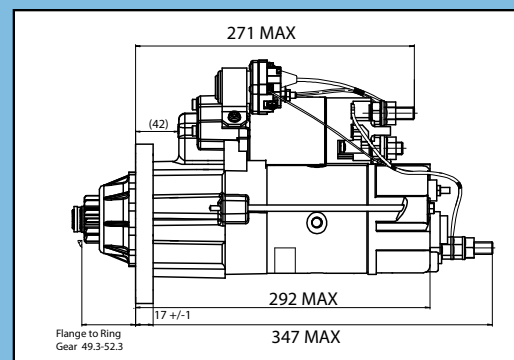
Rear Dimensional

SAE 3 Nose

Mounting Holes
3-(13.44-13.70mm)



Side Dimensional



For more information
contact your sales representative

M105R2502SE Titan™ 105

Cross Reference

Part number	Sales Number	Engine	Application Info.	Delco	Mitsubishi	Denso	International Truck	Prestolite
M105R2502SE	M105602	Cummins ISC,ISL International DT466E,DT530, DT570 Max Force DT9&10 Cat 3208	Freightliner Sterling Western Star International Truck	1990316	20430285	228000-851	1614303C91	M130D2001H (3672731C92)
				1990319	20520903	3601668C91	2011457C91	M130D2004H (3808509C92)
				1990405	3667911C91	428000-1422	2011847C91	MS2-530 (3574175C94)
				1993713	85103338		2018380C91	MS2-570 (3593808C92)
				1993763	IN2178		2018381C91	
				1993778	MITIN1378		3601668C91	
				1993874	M009T70979		3804472C92	
				1993928	M970979		3804473C92	
				1993969	MIB970379		3667911C91	
				8200005	PB0979			
				8200030	PC0779			
				8200042	VV0279			
				8200050				
				8200080				
				8200081				
				8200087				
				8200107				
				8200218				
				8200219				
				8200360				
				8300005				
				8300007				
				8300015				
				10461089				
				10461169				
				10461171				
				10461227				
				10461277				
				10461385				
				10461386				
				10461435				
				10461501				
				10461757				
10461769								
10478999								
10479250								
10479251								
10479300								
19011510								
19011525								
19026028								
19026029								
1614303C91								
2011457C91								
2011847C91								
2018380C91								
2018381C91								
323-897								
KW0779								

Note: In some instances the starter flange may need to be relocked.

All M105R starters have IMS/ soft start relay.

Maximum engine displacement 11L