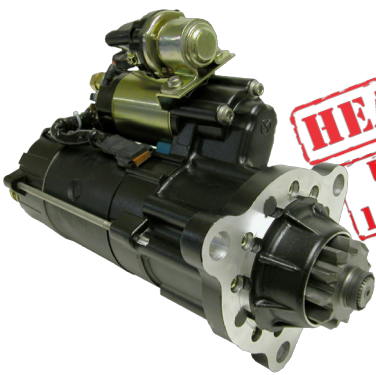


New Product Announcement

M110R2603SE, M110R2615SE Starter Motor

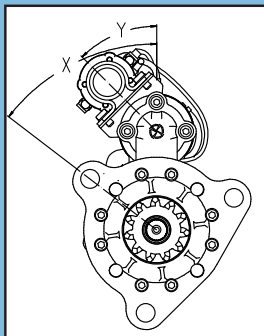
M110R Starter	Sales #	Volts	Output	Warranty	OCP	Pinion Details			
						Teeth	Pitch	OD	PAR
M110R2603SE	M110603	12V	7.0 kW	3 Years	Yes	11	6/8	57.5	47.5
M110R2615SE	M110615	12V	7.0 kW	1 Year	No	11	6/8	57.5	47.5



HEAVY DUTY
UP TO
14 LITER

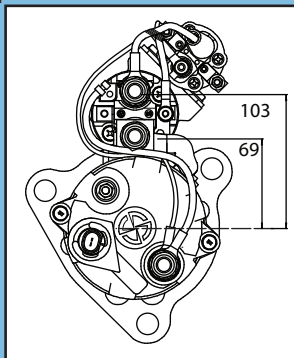


Mountings



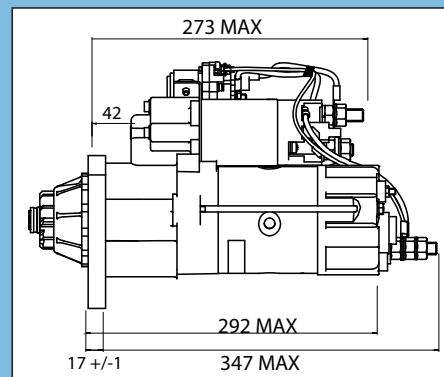
ALTERNATIVE MOUNTINGS		
FLANGE POSITION		
NO	ANGLE X	
1	52.5°	AS SUPPLIED
2	82.5°	Rotate 30° CCW
3	172.5°	Rotate 120° CCW
4	202.5°	Rotate 150° CCW
5	292.5°	Rotate 240° CCW
6	322.5°	Rotate 270° CCW
RELAY POSITION		
POS	ANGLE Y	
A	90°	Rotate 45° CCW
B	45°	AS SUPPLIED
C	0°	Rotate 45° CW
D	-45°	Rotate 90° CW
E	-90°	Rotate 135° CW

Rear Dimensional



Only M110603
has OCP

Side Dimensional



For more information
contact your sales representative

Celebrating 100 Years • 1911-2011

Prestolite
Leece-Neville

Marketing Information

M110R2603SE, M110R2615SE Starter Motor

Starter Motor Cross Reference

Part number	Sales Number	Engine	Application Info.	Delco Cross M110R2615SE		Delco Cross M110R2603SE (OCP)	Mitsubishi
M110R2603SE M110R2615SE	M110603 M110615	Cummins ISX (11.9L) ISM, N14	Freightliner, Sterling, Western Star, Navistar, Kenworth, Peterbilt	1990337 1990352 1990358 1990375 1990376 1990386 1990398 1990400 1990420 1990423 1990424 1990450 1990468 1990470 1990475 1990478 1990483 1990490 1990495 1993803 1993807 1993816 8200029 8200031 8200033 8200037 8200038 8200040 8200050 8200088 8200090 8200091 8200104 8200289 8200290 8200308 8300017 8300019 10461033 10461038	10461042 10461052 10461053 10461126 10461127 10461164 10461214 10461267 10461334 10461592 10461753 10461755 10461777 10478810 10478894 10478895 10479028 10479037 10479072 10479081 10479150 10479156 10479160 10479277 19011500 19011505 19011506 19011508 19011516 19011518 19011521 19011529 19011530 19011531 323-867 323-871 323-892 3604322RX R0461126 R0461127	8300009 10461055 10461075 10461096 10461183 10479030 1990355 1990391 1990393 1990421 1990428 1990489 1993776 10461028 10461062 10461165 10461183 10461185 10461232 10479038 10479062 10479082 10479161 323-864 323-873 323-902 3604665RX R0461183 R0461185	3815734C91 D61-6002-004 D61-6002-008 FL0579 FL0777 FL0975 IN1478 IN1478 M983579 MIB970777 MIB970777FL MIB970975 MIB970975FL PC0979 PC1479 PC1879

Note: In some instances the starter flange may need to be relocked.

All M110R starters have IMS/ soft start relay.

Maximum engine displacement 14L

M110R2603SE can substitute non-OCP starters.